

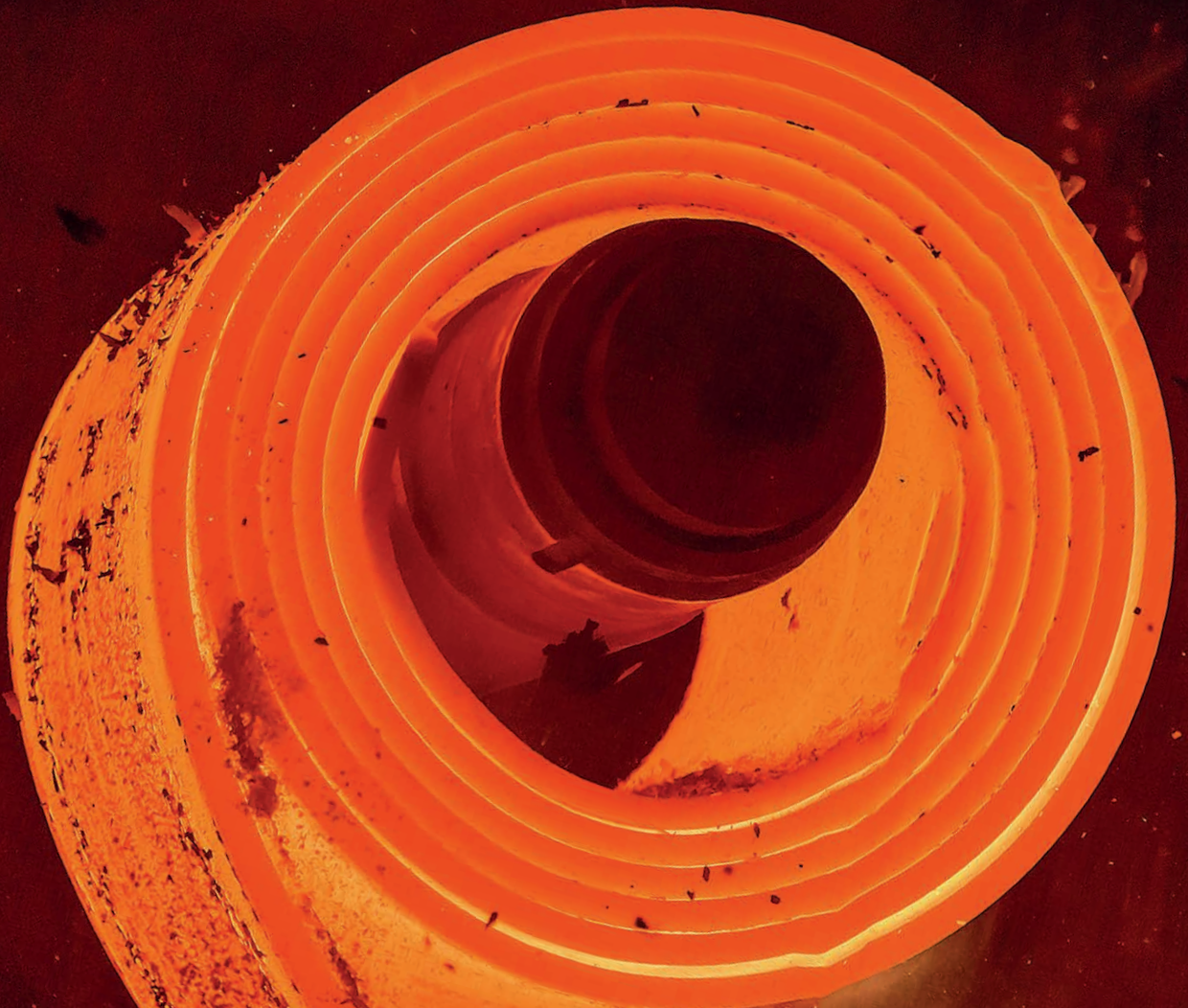
R 58[®]

RECKMANN

INSTRUMENTATION + CONTROL TECHNOLOGY

Your partner for temperature

**Mineral insulated thermocouples
for measuring temperature in heat processing equipment
or in gaseous and liquid media**

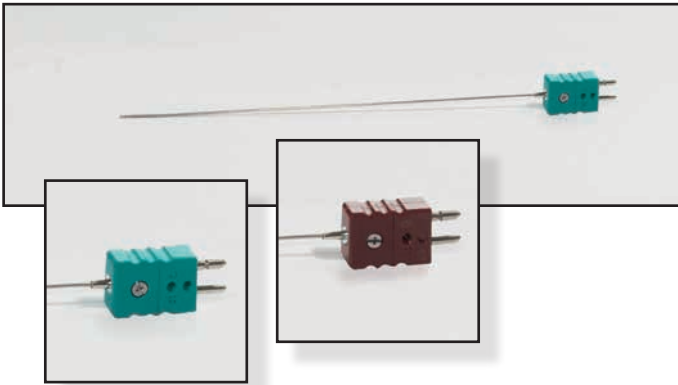


Mineral insulated thermocouples



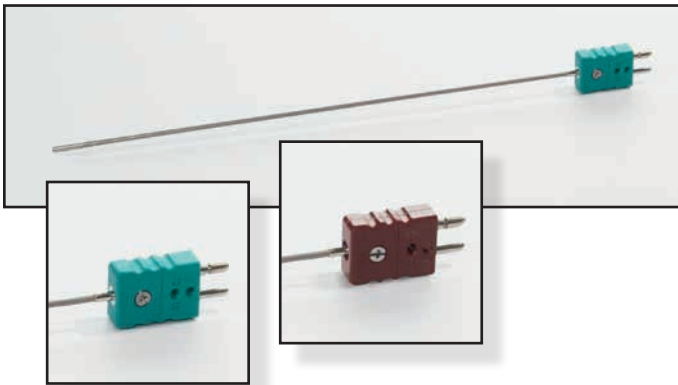
**Mineral insulated thermocouple, Ø 1.5 mm,
Sheath material Inconel (2.4816),
Model KM**

- 1x NiCr-Ni, type K, class 1, with a pre-assembled miniature compensation plug (green / +200°C)



**Mineral insulated thermocouple, Ø 1.5 mm,
Sheath material Inconel (2.4816),
Model K**

- 1x NiCr-Ni, type K, class 1, with a pre-assembled standard compensation plug (green/ +200°C)
- 1x NiCr-Ni, type K, class 1, with a pre-assembled standard compensation plug (brown/ +350°C)



**Mineral insulated thermocouple, Ø 3,0 mm,
Sheath material Inconel (2.4816),
Model K**

- 1x NiCr-Ni, type K, class 1, with a pre-assembled standard compensation plug (green/ +200°C)
- 1x NiCr-Ni, type K, class 1, with a pre-assembled standard compensation plug (brown/ +350°C)



Mineral insulated thermocouple, Ø 3.0 mm, sheath material Inconel (2.4816), Model D

2 x NiCr-Ni, type K, class 1, with a transition sleeve and a pre-assembled connection lead 4 x 0.22 mm² (500 mm), PVC/PVC, Ø 4.5 mm, +105°C

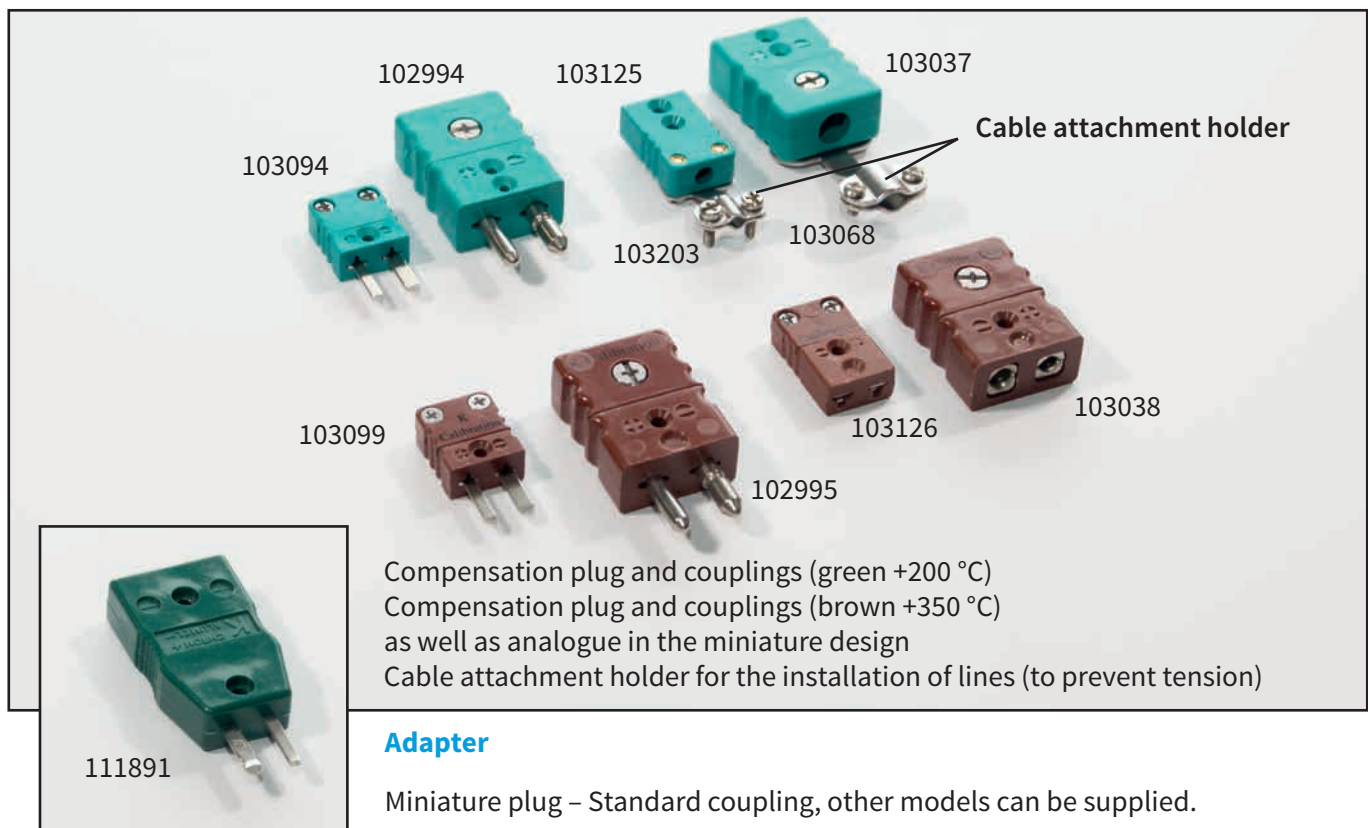
Accessories

General

Mineral insulated thermocouples are increasingly used in all areas of industry in the field of temperature measuring technology. They differ from DIN 43772 thermocouple elements and resistance thermometers as a result of their small design, short response times in the case of temperature changes and bendability, so that they can be introduced into measuring points which are difficult to access. Furthermore, they are shock resistant, pressure resistant and characterised by high service lives.

Areas of application

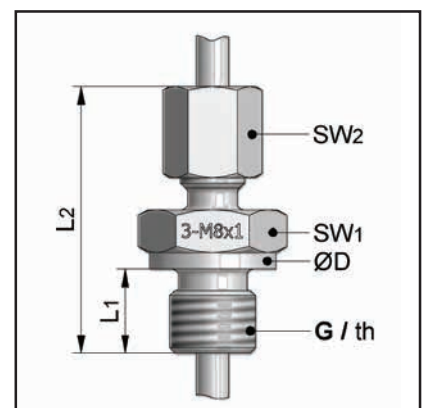
- in furnaces
- in gaseous and fluid media (air, gas, water, oil etc.)
- in and on the surfaces and containers, pipelines, apparatus and machinery
- in laboratories and test facilities
- on motor test beds, e.g. in the motor compartment
- in the low and high pressure range in the case of small flow speeds



Compression fittings

for the pressure-sealed installation of mineral insulated thermocouples

- with a PTFE pressure ring up to 200 °C and max. 10 bar operating pressure
- movable and removable again
- with a VA cutting ring up to 500 °C and max. 40 bar operating pressure
- after installation, the cutting ring can no longer be removed
- Special model up to 700 bar
Compression strength upon request



Mineral insulated thermocouples



	Nominal length	Article-No.	class 1
Ø 1,5 mm Miniature plug 1 x NiCr-Ni, type K Material 2.4816	1000 mm	103833	piece
	2000 mm	103834	piece
	2500 mm	107072	piece
	3000 mm	106313	piece
	5000 mm	106447	piece
Ø 1,5 mm Standard plug 1 x NiCr-Ni, type K Material 2.4816	1000 mm	103849	piece
	HT 1000 mm	103719	piece
	1500 mm	106975	piece
	HT 1500 mm	103721	piece
	2000 mm	103850	piece
	HT 2000 mm	103725	piece
	2500 mm	132072	piece
	HT 2500 mm	103730	piece
	3000 mm	103739	piece
	HT 3000 mm	103736	piece
	4000 mm	106978	piece
	HT 4000 mm	103743	piece
	Ø 3,0 mm Standard plug 1xNiCr-Ni, type K Material 2.4816	1000 mm	103853
HT 1000 mm		103753	piece
1500 mm		108954	piece
HT 1500 mm		110561	piece
2000 mm		103854	piece
HT 2000 mm		110720	piece
2500 mm		107001	piece
HT 2500 mm		106453	piece
3000 mm		108955	piece
HT 3000 mm		106454	piece
4000 mm		103765	piece
HT 4000 mm		109925	piece
Ø 3,0 mm 2 x NiCr-Ni, type K Material 2.4816 with a lead (500mm)		2500 mm	108629
	2000 mm	106688	piece
	1500 mm	106687	piece
	1000 mm	106684	piece

Accessories

Compression fittings	Sheath	Material	Processing connection le-No.	Artic-	Quantity	
	ø3,0	Steel	M8x1	PTFE-pressure ring	102372	piece
	ø3,0	Steel	M8x1	Stainless steel cutting ring	102352	piece
	ø3,0	1.4571	M8x1	PTFE-pressure ring	102421	piece
	ø3,0	1.4571	M8x1	Stainless steel cutting ring	102398	piece
	ø3,0	Steel	M10x1	PTFE-pressure ring	102377	piece
	ø3,0	Steel	M10x1	Stainless steel cutting ring	112133	piece
	ø3,0	1.4571	M10x1	PTFE-pressure ring	102426	piece
	ø3,0	1.4571	M10x1	Stainless steel cutting ring	102401	piece
	ø3,0	Steel	G1/4"	PTFE-pressure ring	102380	piece
	ø3,0	Steel	G1/4"	Stainless steel cutting ring	102357	piece
	ø3,0	1.4571	G1/4"	PTFE-pressure ring	102429	piece
	ø3,0	1.4571	G1/4"	Stainless steel cutting ring	102404	piece
	ø3,0	1.4571	G1/2"	PTFE-pressure ring	102435	piece
	ø3,0	1.4571	G1/2"	Stainless steel cutting ring	102409	piece
	ø3,0	1.4571	1/4"NPT	PTFE-pressure ring	122818	piece
	ø3,0	1.4571	1/4"NPT	Stainless steel cutting ring	109485	piece
	ø3,0	1.4571	1/8"NPT	PTFE-pressure ring	115227	piece
	ø3,0	1.4571	M14x1,5	PTFE-pressure ringg	126358	piece
	ø3,0	1.4571	M8x1	Graphite	107508	piece
	ø3,0	1.4571	G1/4"	Graphite	107504	piece
	ø1,5	Steel	M8x1	PTFE-pressure ring	102370	piece
	ø1,5	Steel	M8x1	Stainless steel cutting ring	102350	piece
	ø1,5	1.4571	M8x1	PTFE-pressure ring	102418	piece
	ø1,5	1.4571	M8x1	Stainless steel cutting ring	102395	piece
	ø1,5	1.4571	M4	Stainless steel cutting ring	138432	piece
	ø1,5	1.4571	M5x0,75	PTFE-pressure ring	129917	piece
	ø1,5	1.4571	M6x0,75	PPTFE-pressure ring	109636	piece
	ø1,5	1.4571	M6x1	PTFE-pressure ring	137532	piece
	ø1,5	1.4571	M6x1	Stainless steel cutting ring	133394	piece
	ø1,5	1.4571	M12x1,5	Stainless steel cutting ring	115515	piece
Miniature plug			green (200°C)	103094	piece	
			HT brown (350°C)	103099	piece	
Miniature sockets			green (200°C)	103125	piece	
			HT brown (350°C)	103126	piece	
Cable fastener holder (minature)				103203	piece	
Standard plug			green (200°C)	102994	piece	
			HT brown (350°C)	102995	piece	
Standard sockets			green (200°C)	103037	piece	
			HT brown (350°C)	103038	piece	
Cable fastener holder (standard)				103068	piece	
Adapter mini-plug standard sockets			green (200°C)	111891	piece	
Adapter mini-sockets standard plug			green (200°C)	113620	piece	



Office and production buildings

How to find us



RECKMANN GMBH
 Werkzeugstr. 19 - 23
 58093 Hagen, Germany
 P.O.Box 60 01 64
 58137 Hagen, Germany
 Phone +49 2331 3501-0
 Fax +49 2331 3501-70
 E-Mail info@reckmann.de
www.reckmanngmbh.com

QR-code
 navigation

