

Resistance Temperature Detector model 3GoH

RTD with protection tube model 3GoH according or similar to DIN 43722

In general

The temperature sensors manufactured by Reckmann GmbH (R58®) are solely intended for the measurement of process temperatures in solid, liquid and gaseous media. This model allow a directly screw in into the process connection of a autoclave or pipeline. The tapering reduces the response time.

Application area:

Autoclave, machine and plant engineering, chemicals industry, food and beverage industry, power plant technology, pipeline construction, air conditioning technology.

For installation please see our operating instructins for for resistance temperature detectors(RTD).

Stock-number-code: 1R15-C1.

Technical datas

- **Connection head** (fig. 1/1) according to DIN EN 50446.
Standard connection heads: Form B-G12, B-KL, B-VA, BA-KL, BA-KS, BA-KLH, BA-KSH. Dimension see page 2.
- **Protection shell** (fig. 1/4 up to 5) according or similar to DIN 43772.
Standard material 1.4571 (316Ti).
Standard - D/d: 12 tapered to 9 mm.
- **Process connection** (fig.1/4) a screwed plug with all standard thread s.
Standard thread G1/2".
- **Measuring insert** (fig.1/2) replaceable according to DIN 43735.
Sensor depending on use:
thin film or ceramic according to IEC / EN 60751,
standard in 1 x 3-, 1 x 4-Leiter-, 2 x 3- or 2 x 4 - wire circuit.
Recommended operating temperature on the measuring tip depended on accuracy class according to IEC / EN 60751
Operating temperature for PT100
- 50°C up to + 500°C for thin film sensors,
- 200°C up to + 600°C for ceramic sensors,
- 200°C up to + 450°C for glass sensors.
Note: Use only at non-critical process temperatures < 400°C,
as the temperature decoupling only takes place via the double nipple.
- **Sheath material** according to IEC / EN 61515.
Standard material 1.4404,
Standard diameter 3 or 6 mm.
- **Optional** on request other materials, diameter or wit transmitter

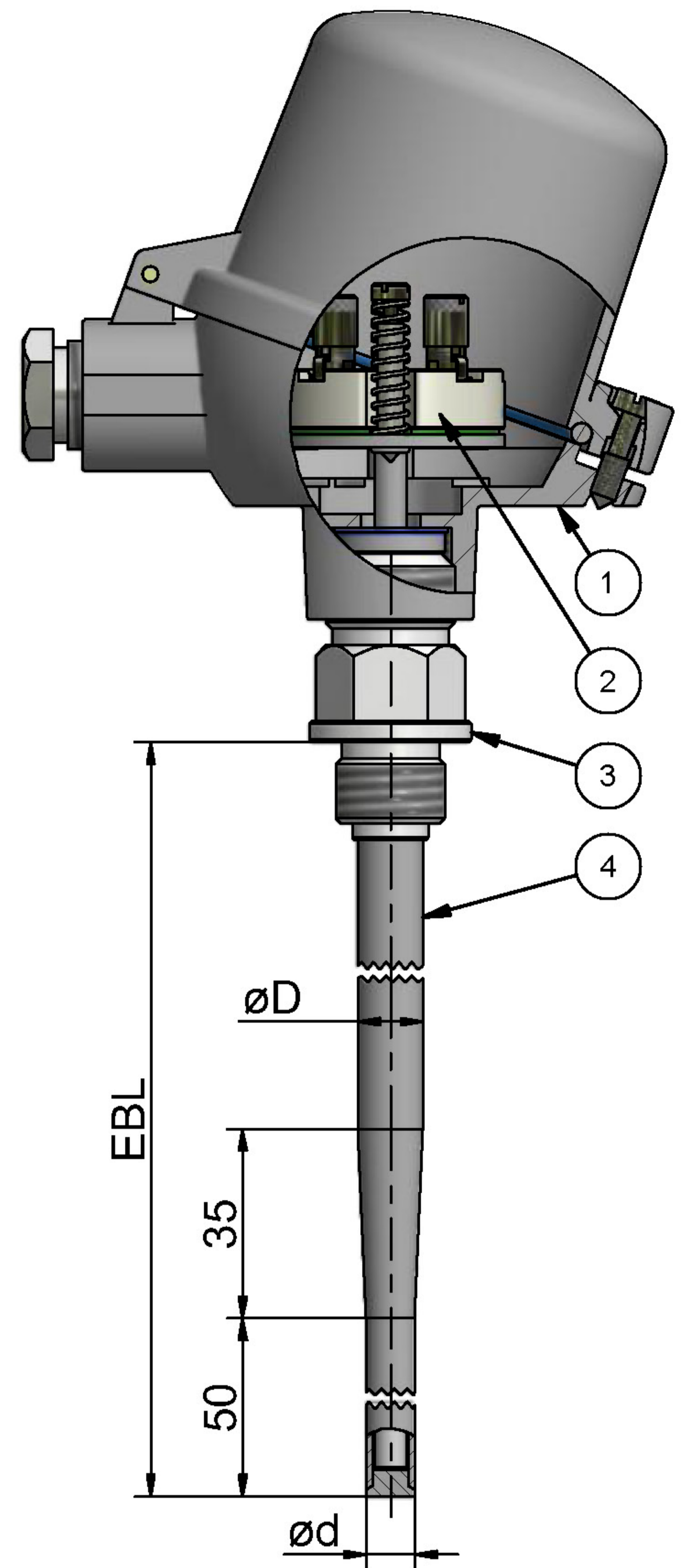
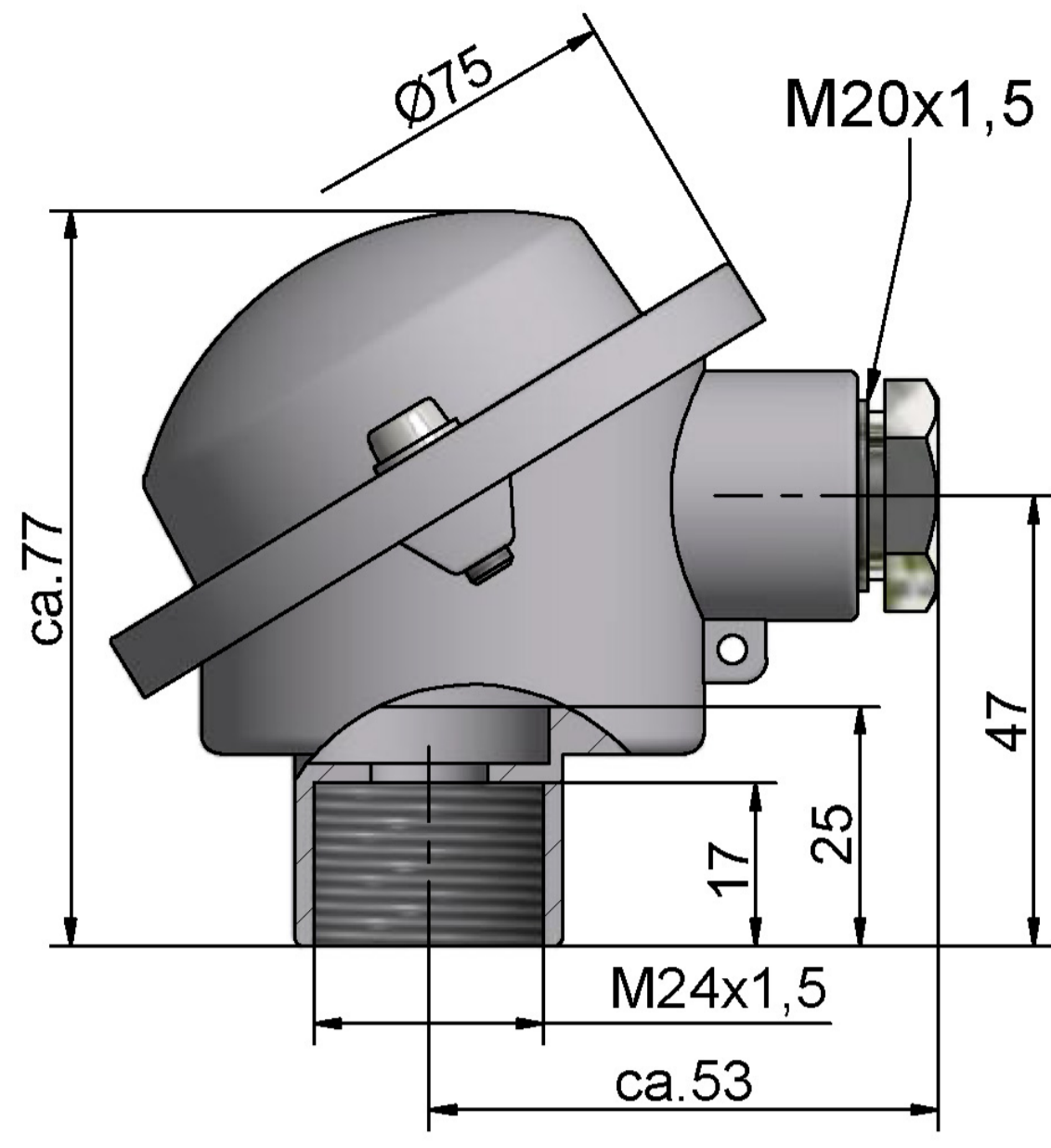


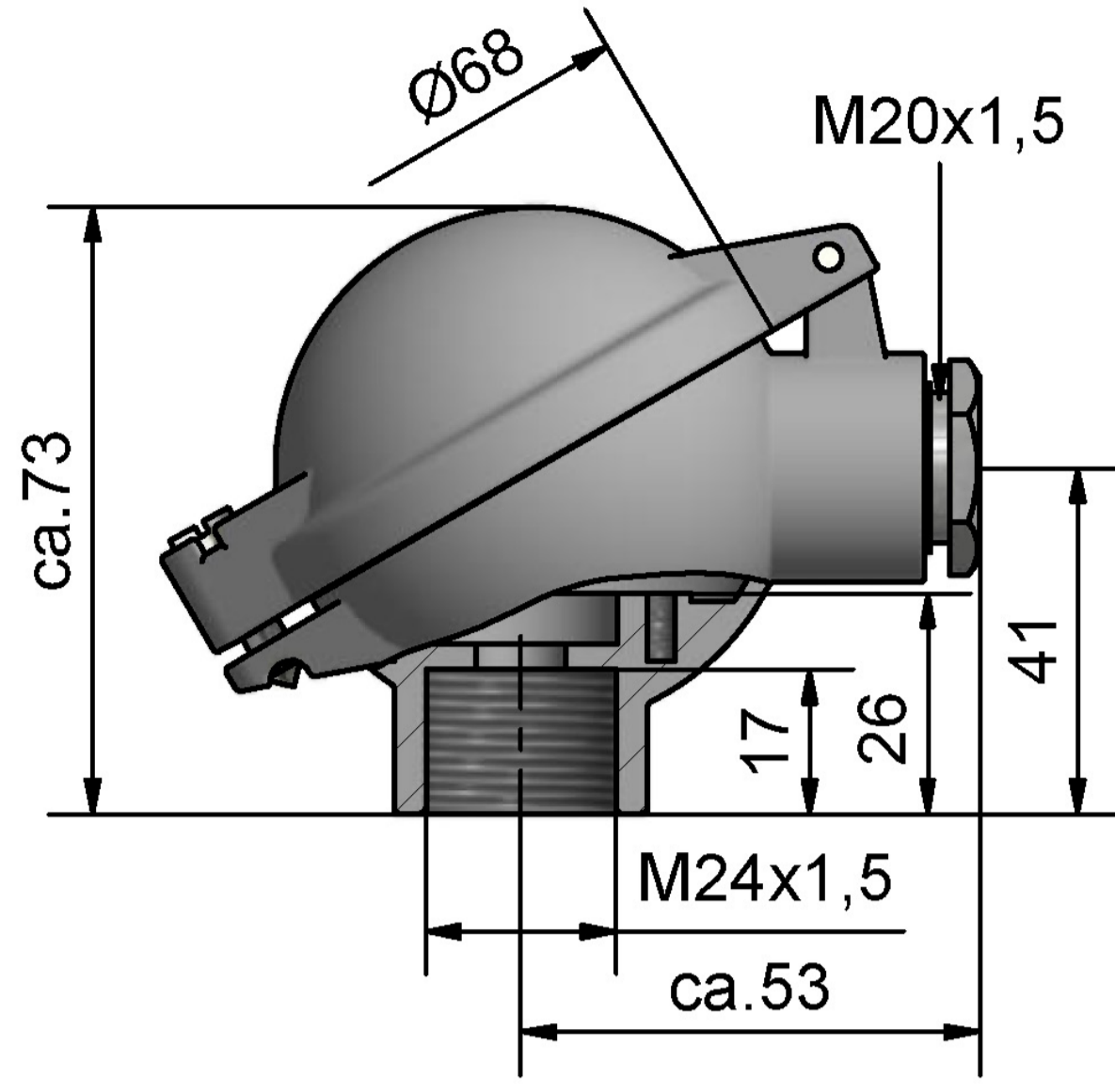
fig. 1

Optional connecting heads / circuit diagram

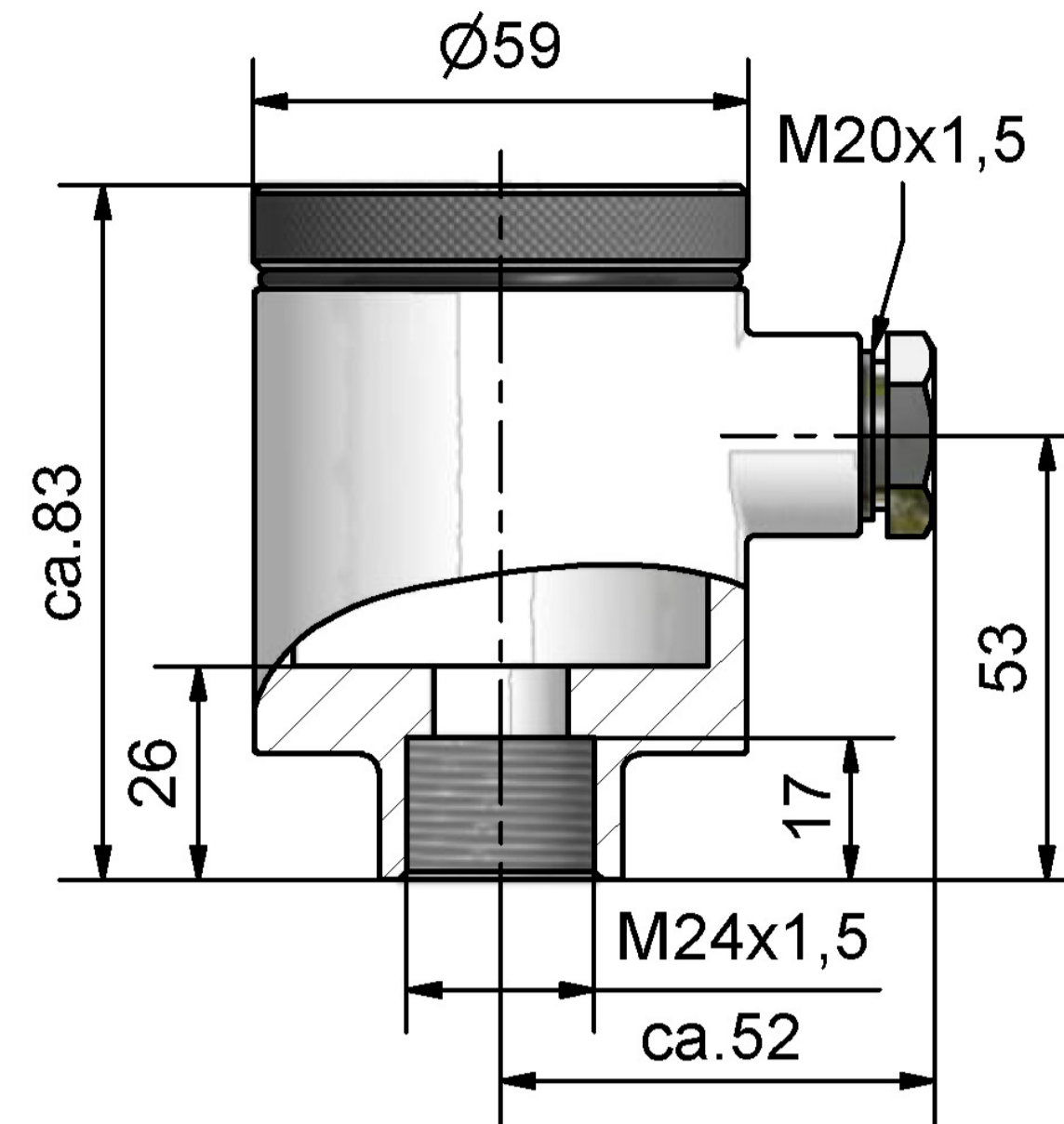
As an alternative to the cable gland, a M12 insert plug connector is possible



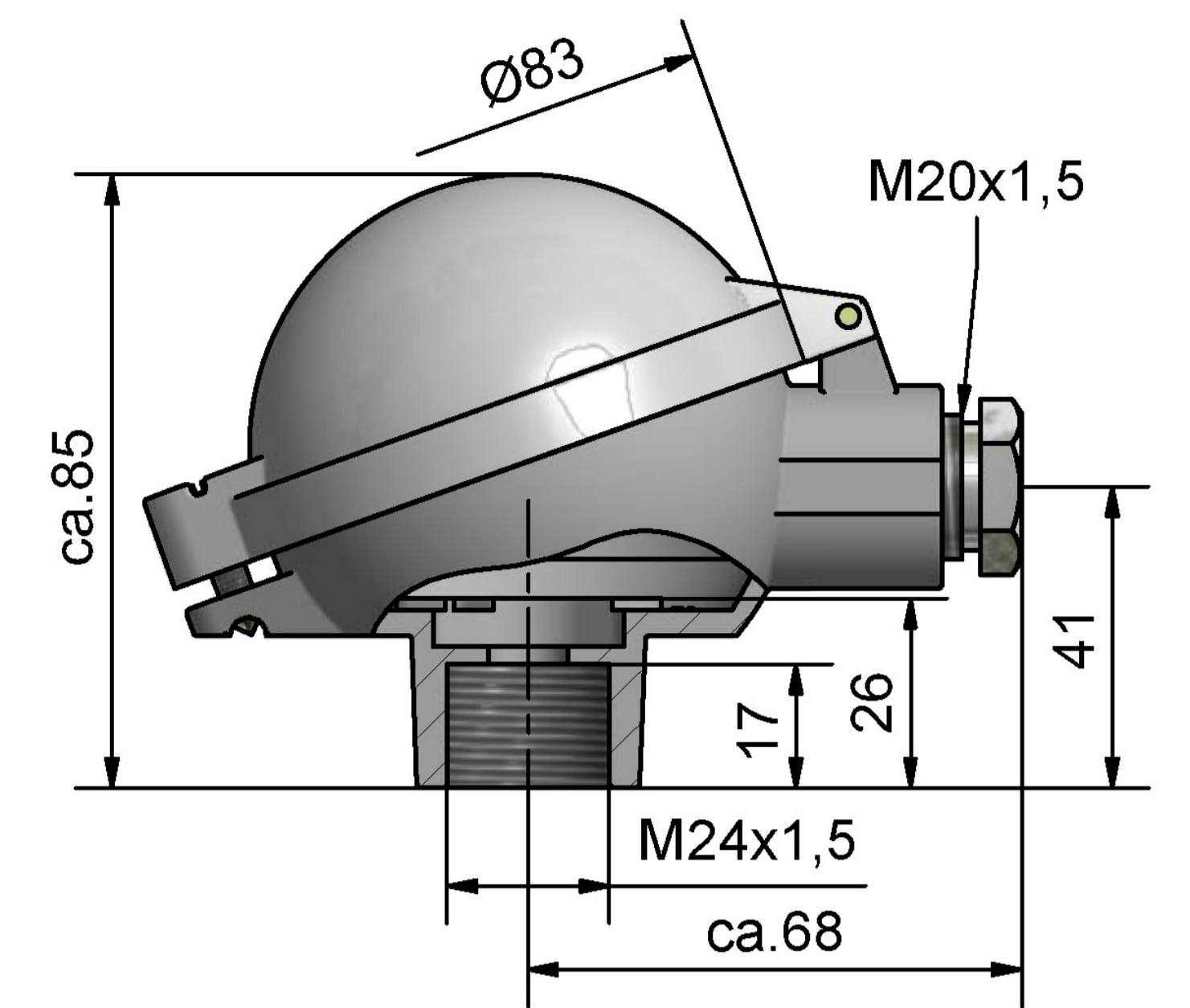
connection head model B-G12
M24 x 1,5



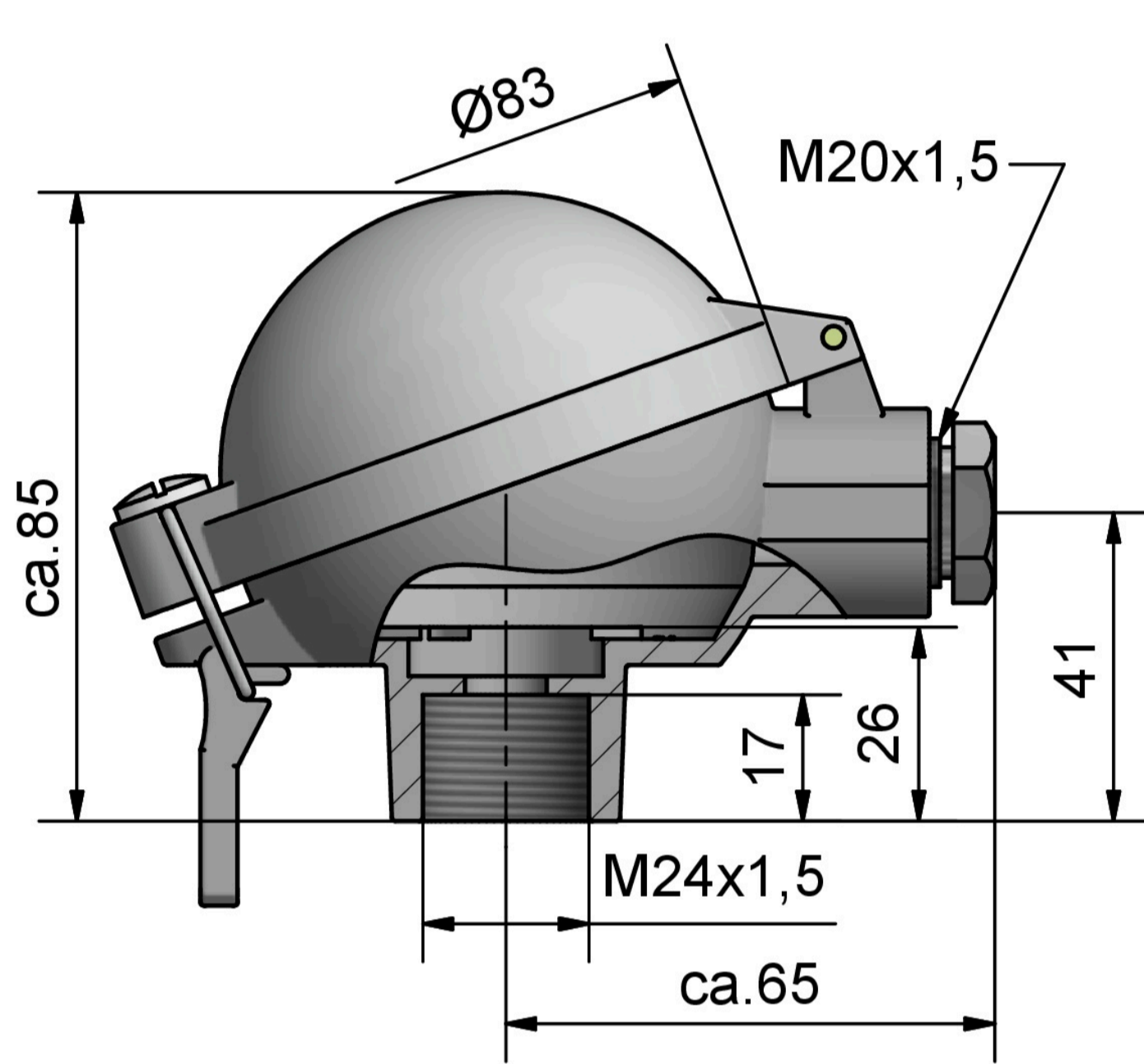
connection head model B-KL
M24 x 1,5



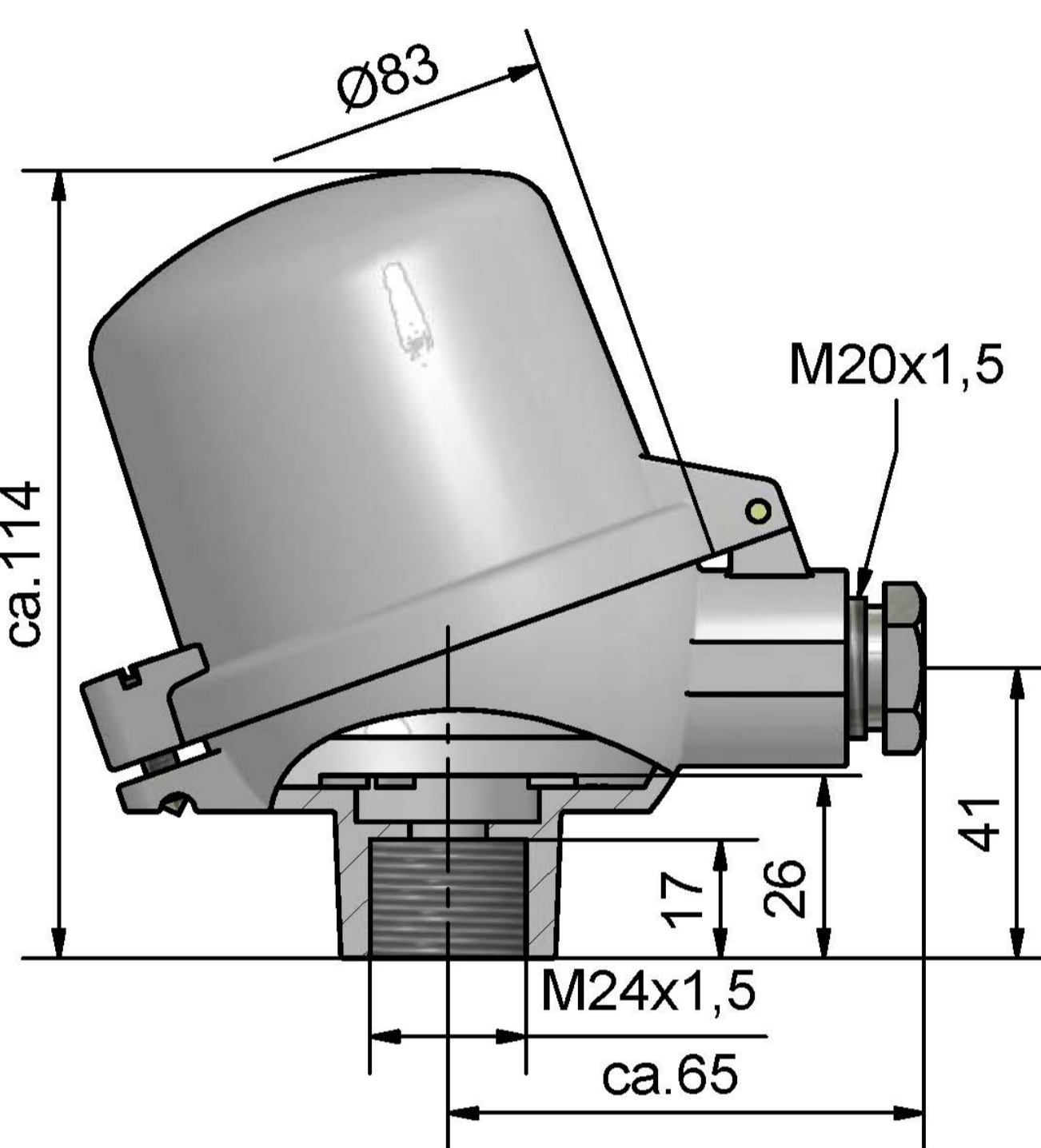
connection head model B-VA
M24 x 1,5



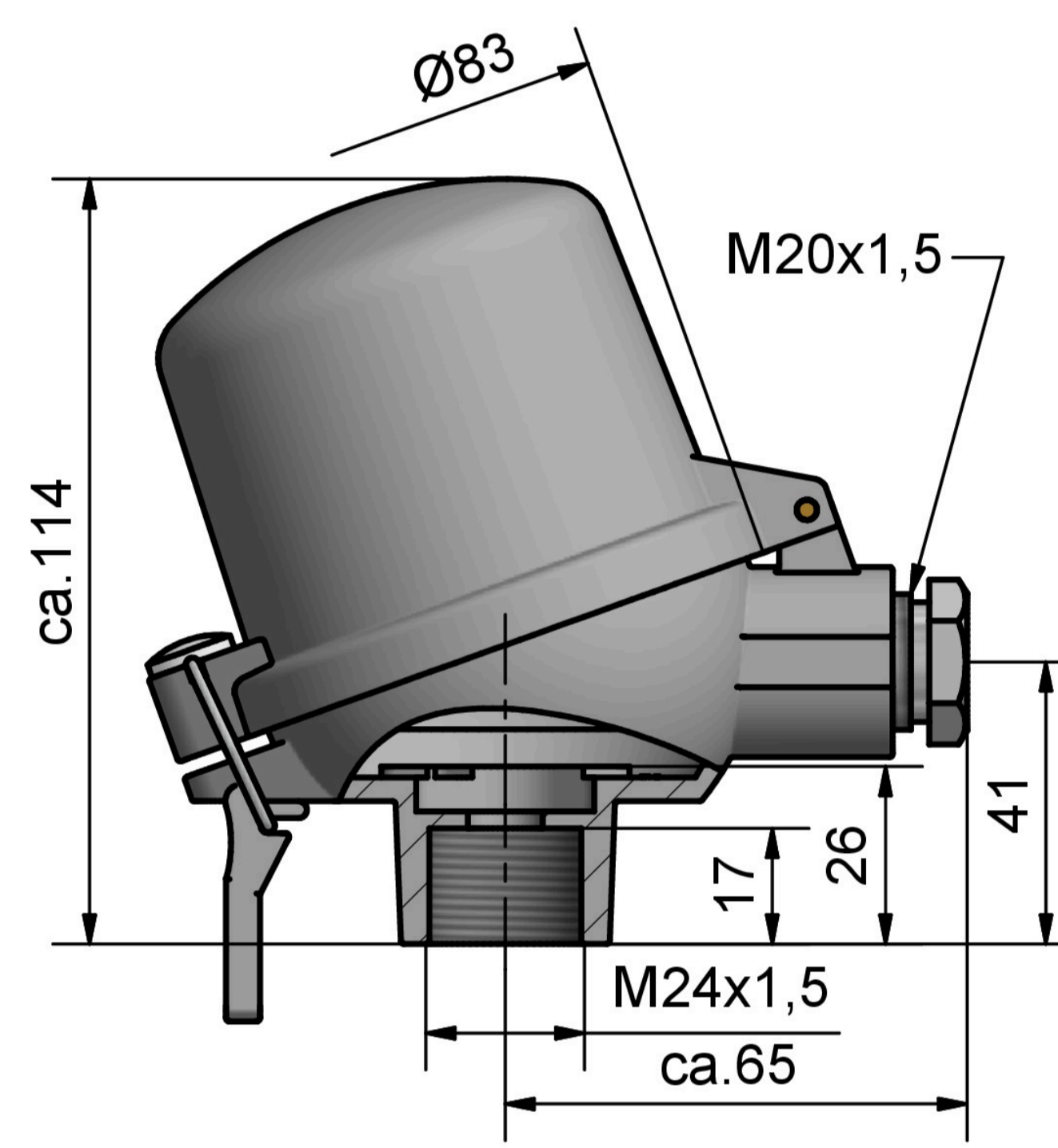
connection head model BA-KL
M24 x 1,5



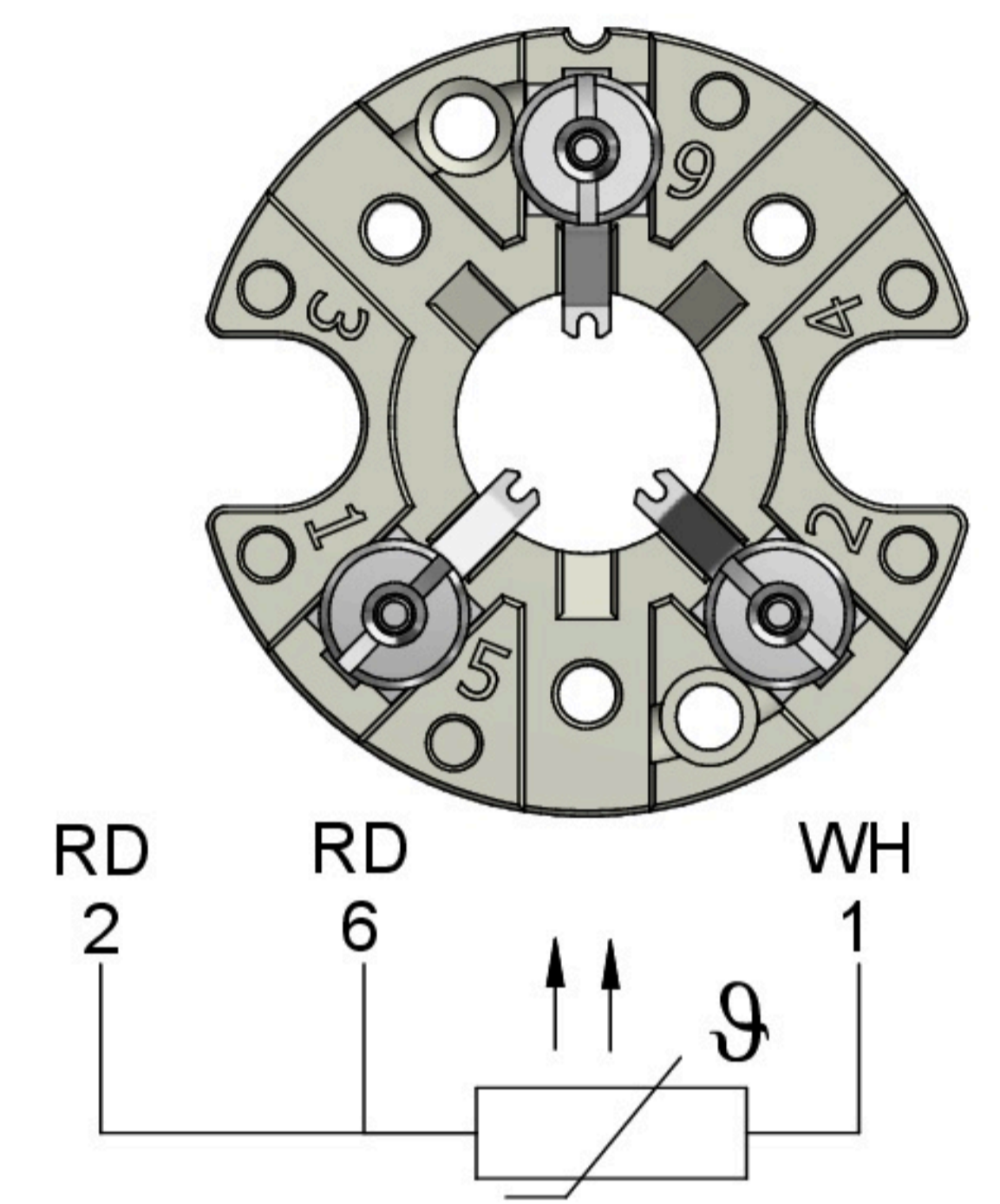
connection head model BA-KS2
M24 x 1,5



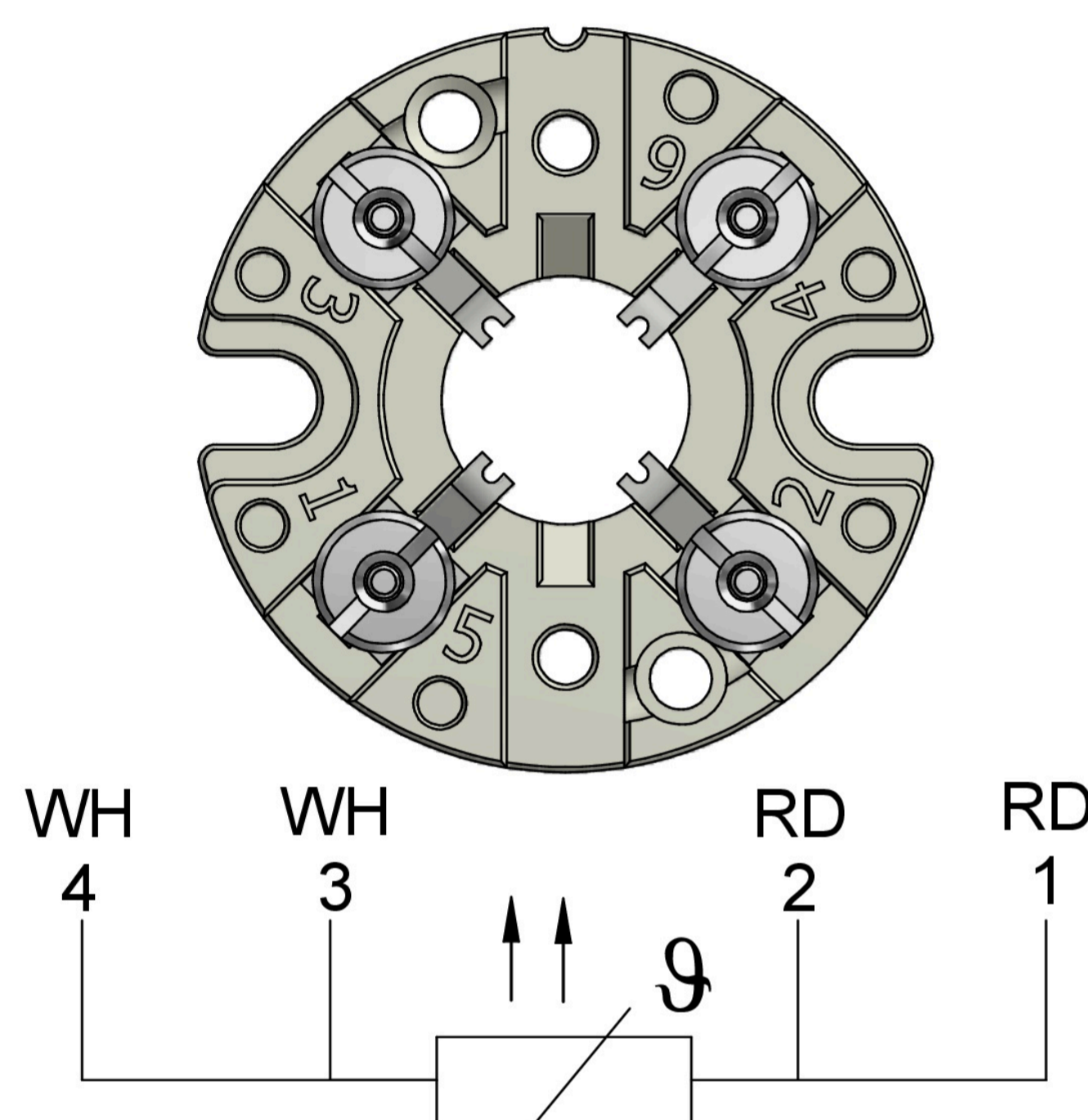
connection head model BA-KLH
M24 x 1,5



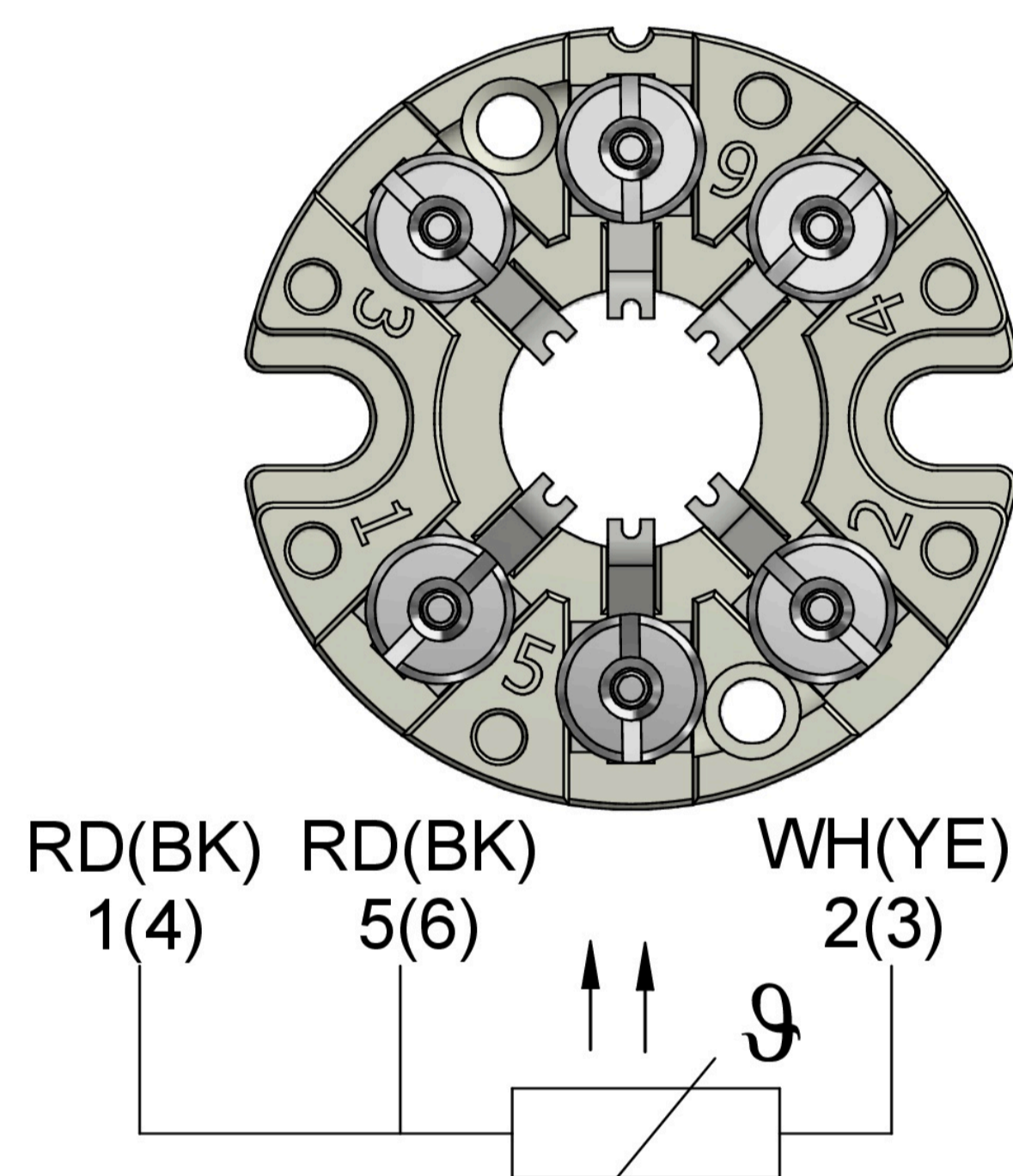
connection head model BA-KSH
M24 x 1,5



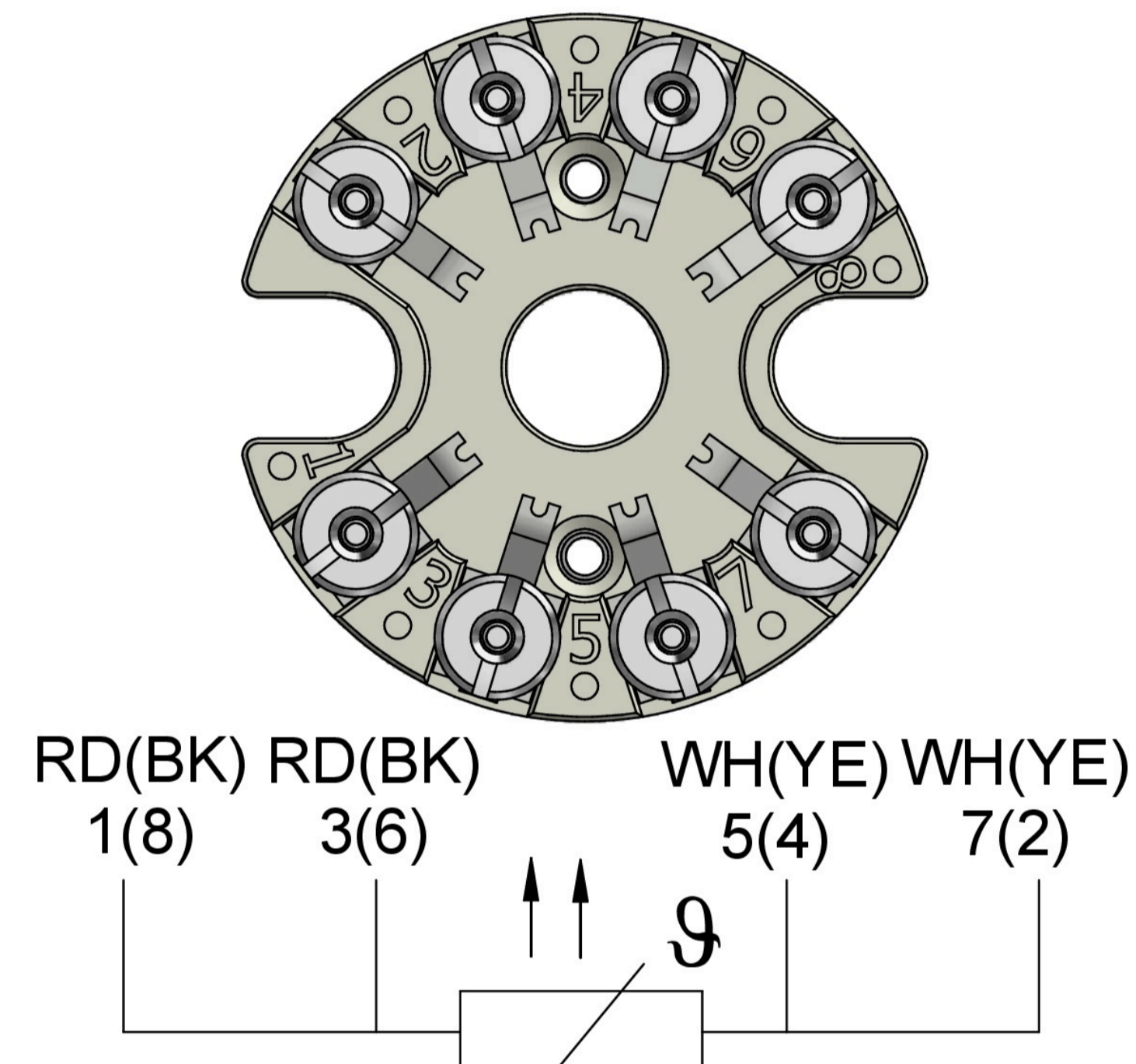
terminal base
1 x PT100 3 wire



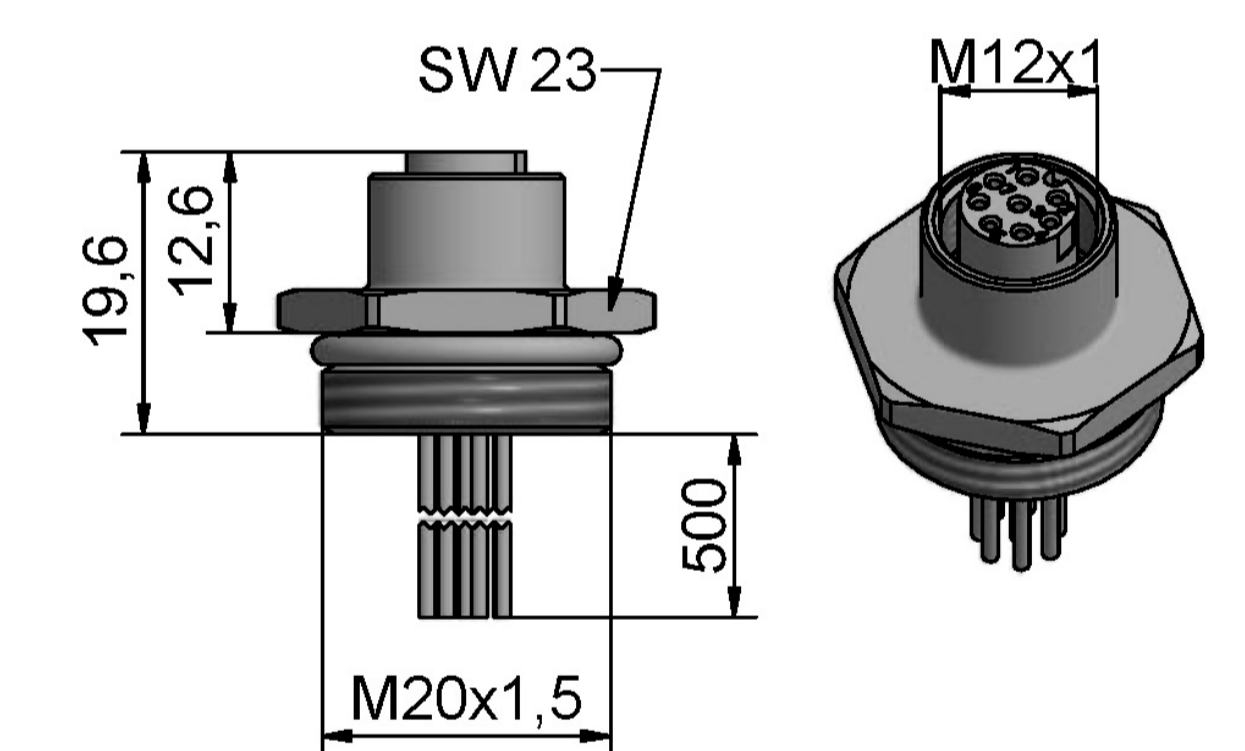
terminal base
1 x PT100 4 wire



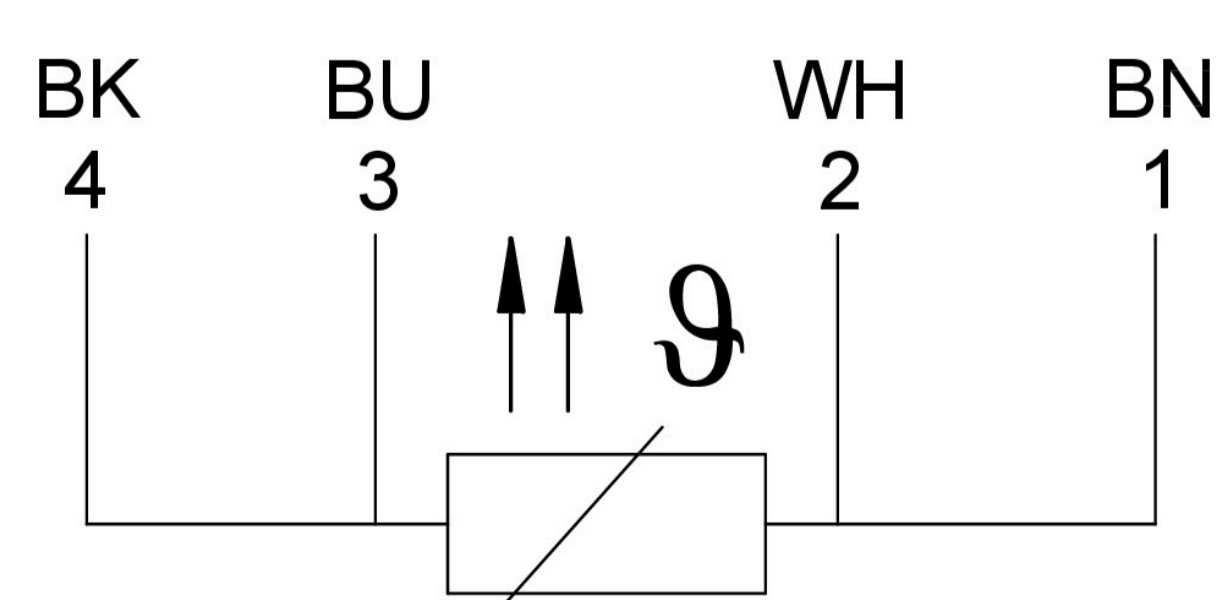
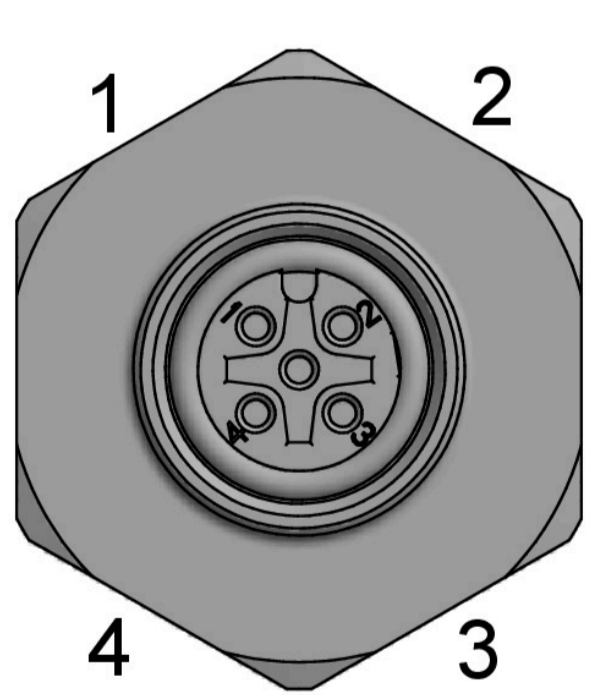
terminal base
2 x PT100 3 wire



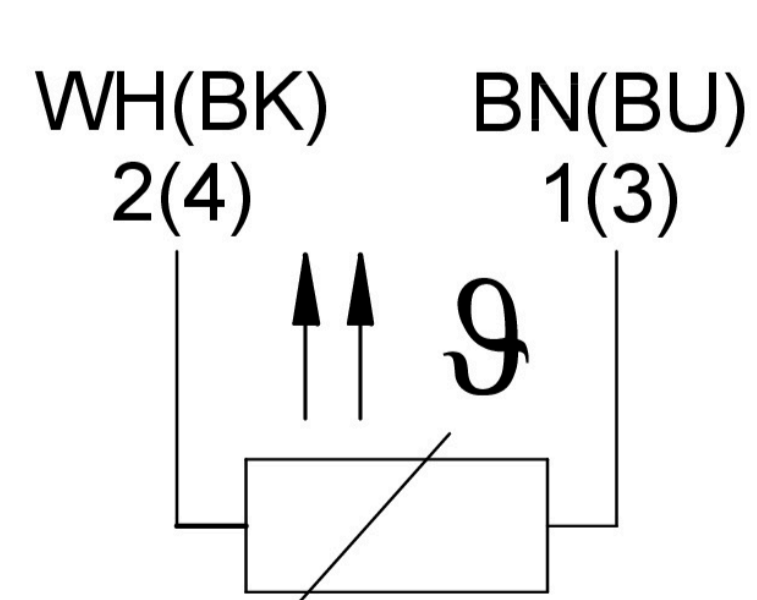
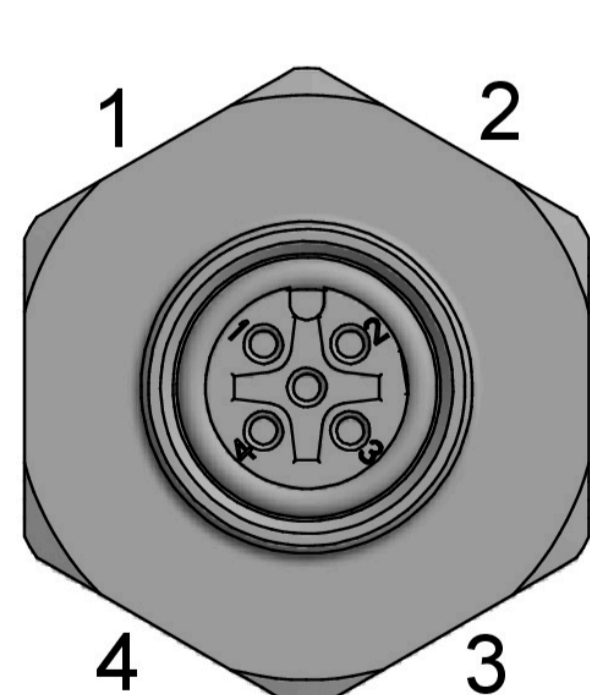
terminal base
2 x PT100 4 wire



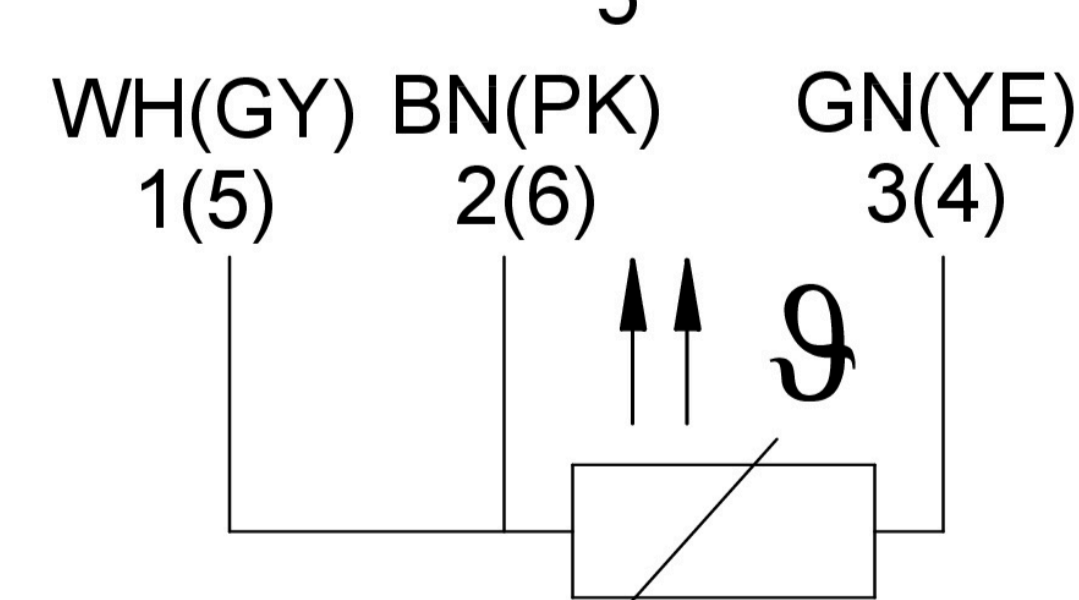
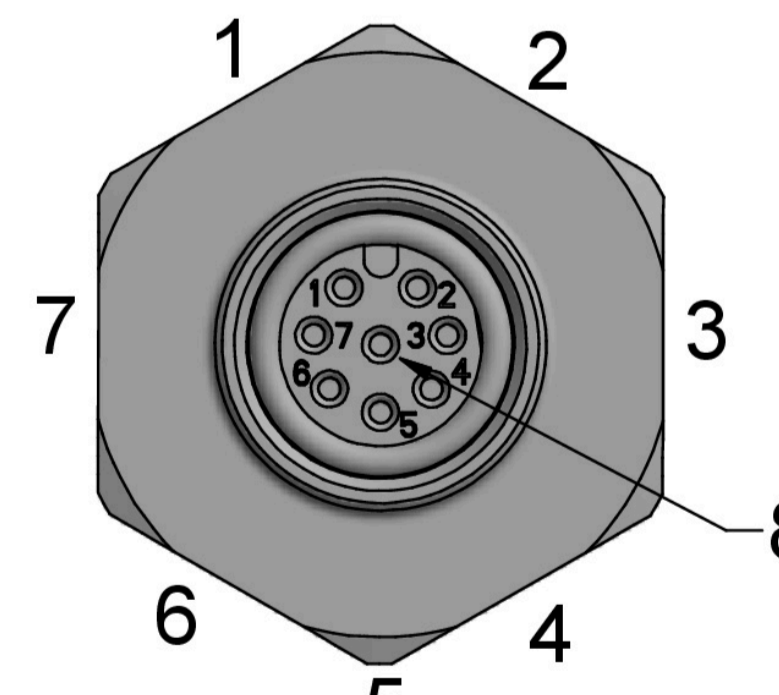
M12 insert socket
8 - terminal



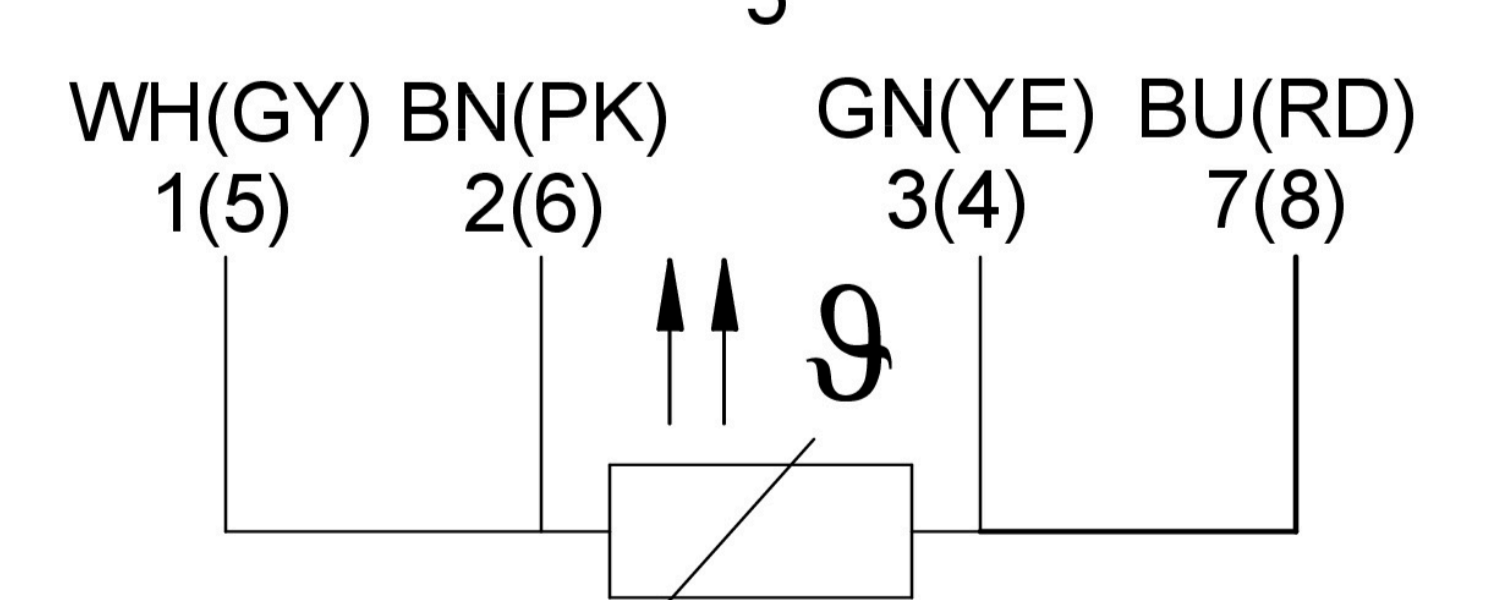
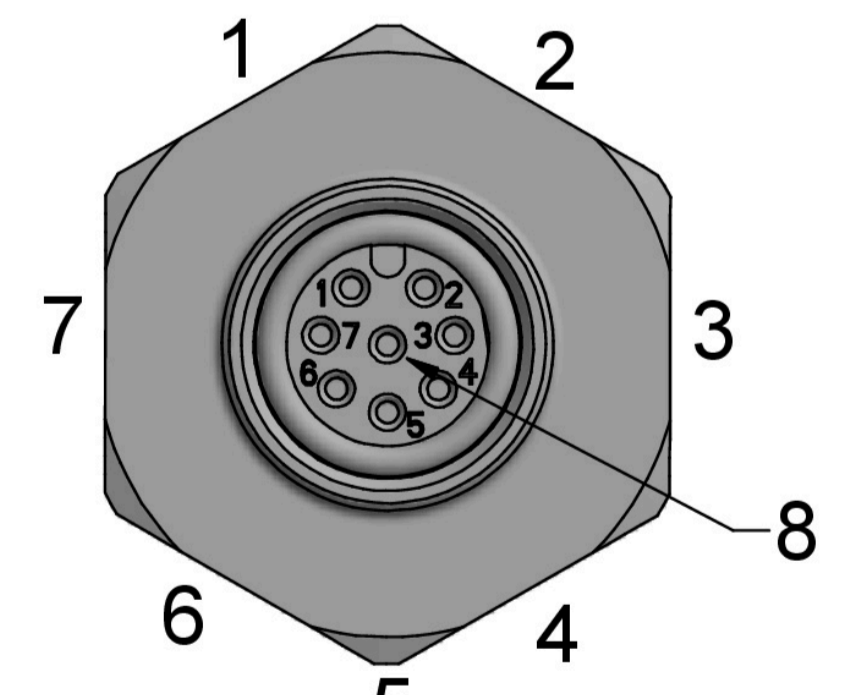
M12 insert socket
1 x PT100 4 wire



M12 insert socket
2xPT100 2 wire



M12 insert socket
2xPT100 3-wire



M12 insert socket
2xPT100 4-wire